

*Ultra-small form factor IPC with extended CANbus, LANs and GPIO, suitable for Automated Guided Vehicle (AGV) controller.*

# KUBER-212B

- Intel® Celeron® processors ("Apollo Lake"), up to 4 cores (optional)
- 4GB onboard LPDDR4 memory
- Supports 4 GbE, 2 USB 3.0, 1 DP, 1 CAN bus and 4 GPIO
- M.2 Key E for Wireless communication
- 32GB onboard eMMC 5.0 storage
- Heavy industrial EMC
- Extended temperature options for extreme environments



## Specifications

### General

#### CPU

Intel® Celeron N3350, 2 cores, 1.1GHz/2.4 GHz, 6W TDP

#### Memory

On Board LPDDR4 up to 4GB, 2400MT/s  
 Dual memory channel, 64bit, non-ECC

#### Mass Storage

eMMC 5.0 onboard flash 32GB up to 256 GB

#### Power Input

Standard: 12-30 VDC

#### Operation System

Windows® 10 IoT Enterprise LTSB 2016 (64-bit)

#### Expansion

1x M.2 Key E 2230 for Wireless card  
 1x Mini-PCIe supports full size mini card (mSATA)  
 1x Extra M.2 Key E 2230 for optional use

### Basic I/O Interface

**Power Connector:** 1x 2-Pin Terminal Block

**Giga LAN:** 2x 10/100/1000 GbE (Intel® i210)

**USB:** 2x USB 3.0

**Display:** 1x DP v1.4 4096 x 2160 @ 60Hz

### Extended I/O Interface

2x 10/100/1000 GbE (Intel® i210)

1x CANbus / 1x GPIO (4 I/O)

### EMC Standard

CE, FCC (EN55024, EN55032)  
 CE (EN 61000-6-4: 2007 + A1: 2011, Class A, EN 61000-6-2:2005)  
 FCC (CFR Title 47 Part15 Subpart B: 2018 Class A)

### Environmental and Mechanical

**Storage Temperature:** -40 °C ~ 85 °C

**Operating Temperature:** 0°C ~ 50°C

#### Permissible Humidity

5-95% RH operating, non-condensing  
 5-95% RH storage, non-condensing

#### Vibration

1G, with DIN EN 60068-2-6

#### Shock

15g with 11 ms impulse length, 18 shocks in total (EN 60068-2-27)

#### Degree of Protection

IP 30

#### Dimension

99mm (L) x 63mm (W) x 92 mm (D)

#### Net Weight

0.65 Kg

#### Mounting

DIN-Rail / Wall Mount

#### Cooling

Fan-less

### Optional Accessories

#### Power Adaptor

2-pin Connector, 60W, 24V/2.5A

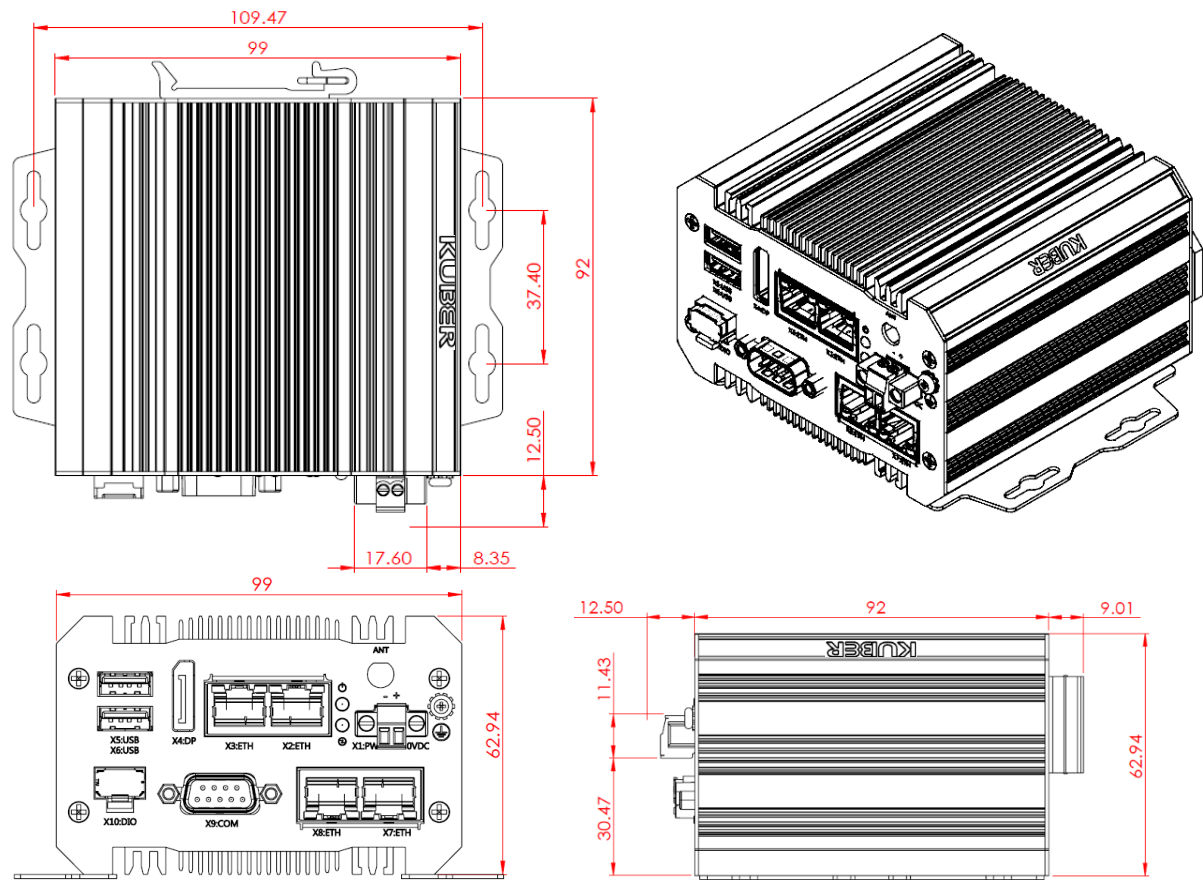
#### Mounting Kit

DIN-Rail / Wall Mount

#### Video Adaptor

DP to VGA/ DP to DVI

# Dimension



**MITWELL, Inc.**  
 9F., No.242, Bo'ai St., Shulin Dist.,  
 New Taipei City 238, Taiwan  
 T: +886-2-7739-5566  
 F: +886-2-7715-0690



**Portwell, Inc.** Headquarters  
 No. 242, Bo'ai St., Shu-Lin Dist, New Taipei City  
 238, Taiwan  
 Tel: +886-2-77318888  
 Fax: +886-2-77319888  
 E-mail: [info@portwell.com.tw](mailto:info@portwell.com.tw)  
<http://www.portwell.com.tw>

## Americas

**American Portwell (Fremont, CA)**  
 44200 Christy St., Fremont, CA 94538, USA  
 Tel: +1-510-403-3399  
 Fax: +1-510-403-3184  
 E-mail: [info@portwell.com](mailto:info@portwell.com)  
<http://www.portwell.com>

**Portwell Latin America (Brazil)**  
 Av. Paulista, 1274 - 13 andar, CEP 01310-200, Sao Paulo  
 Tel: +55(11) 2309-3513  
<http://www.portwell.com.br>

## India

**Portwell India Technology**  
 2<sup>nd</sup> Floor, 5M-665, 5<sup>th</sup> Main Road, OMBR Layout,  
 Banaswadi, Bangalore -560043, India  
 Tel: +91-80-41684255  
 E-mail: [info@portwell.in](mailto:info@portwell.in)  
<http://www.portwell.in>

## China

**Shanghai Portwell**  
 Room 1303-1, Building 33, 258 Xinchuan Rd  
 Songjiang District, Shanghai, 201612, China  
 Tel: +86-21-5771-2505  
 Fax: +86-21-6772-2905  
 E-mail: [info@portwell.com.cn](mailto:info@portwell.com.cn)  
<http://www.portwell.com.cn>

## Beijing Portwell

4F, Building 5, Quying Zone, Chuangye Rd. 8,  
 Shangdi, Haidian District Beijing 100085, China  
 Tel: +86-10-8270-1616  
 Fax: +86-10-8270-0608  
 E-mail: [info@portwell.com.cn](mailto:info@portwell.com.cn)  
<http://www.portwell.com.cn>

## Korea

**Portwell Korea, Inc.**  
 O-BIZ Tower 1601, No.126,  
 Beolmal-ro, Dongan-gu, Anyang-si,  
 Gyeonggi-do, Korea, 431-060  
 Tel: +82-31-450-3043  
 Fax: +82-31-450-3044  
 E-mail: [info@portwellkorea.co.kr](mailto:info@portwellkorea.co.kr)  
<http://www.portwellkorea.co.kr>

## Europe

### European Portwell

Schillingweg 3, 2153 PL  
 Nieuw Vennep,  
 The Netherlands  
 Tel: +31-252-620790  
 Fax: +31-252-621325  
 E-mail: [info@portwell.eu](mailto:info@portwell.eu)  
<http://www.portwell.eu>

### Portwell Deutschland GmbH

Otto-Hahn-Str. 48, D-63303 Dreieich  
 Tel: +49-6103-3008-0  
 Fax: +49-6103-3008-199  
 E-mail: [info@portwell.de](mailto:info@portwell.de)  
<http://www.portwell.de>

### Portwell (UK) Ltd.

Office T12  
 Trident House, Trident Park Basil Hill  
 Road, Didcot, OX11 7HJ, UK  
 Tel: +44(0)1235-750760  
 Fax: +44(0)1235-750761  
 E-mail: [info@portwell.co.uk](mailto:info@portwell.co.uk)  
<http://www.portwell.co.uk>

## Japan

### Portwell Japan, Inc. (Tokyo)

〒112-0011 4-27-10, Sengoku, Bunkyo-ku,  
 Tokyo, Japan  
 Tel: +81-3-6902-9225  
 Fax: +81-3-6902-9226  
 E-mail: [info@portwell.co.jp](mailto:info@portwell.co.jp)  
<http://www.portwell.co.jp>

### Portwell Japan, Inc. (Osaka)

〒532-0004 Ste.501 Nippo Shin-osaka Dai-2 Bldg,  
 1-8-33 Nishi-Miyahara, Yodogawa-ku Osaka Japan  
 Tel: +81-6-4807-7721  
 Fax: +81-6-4807-7729  
 E-mail: [info@portwell.co.jp](mailto:info@portwell.co.jp)  
<http://www.portwell.co.jp>

All products and company name listed are trademarks or trade names of their respective companies.  
 Updated by Mar. 29th, 2019. ©2019 Mitwell, Inc. All Rights Reserved.  
 All specifications are subject to change without further notice