

PW-721

Fit is enough, less is more-
Intel Alder Lake-N platform in
tiny system.



- Alder Lake-N series X & N SKU CPU
- High speed communication interfaces
- Intel Industry real-time networking supported (optional)
- Tiny system size in 7.5cm x 7.5cm x 3cm
- Miniature computing design to fit most of industry markets.
- Support Hailo-8™ AI Accelerator, up to 26 TOPS

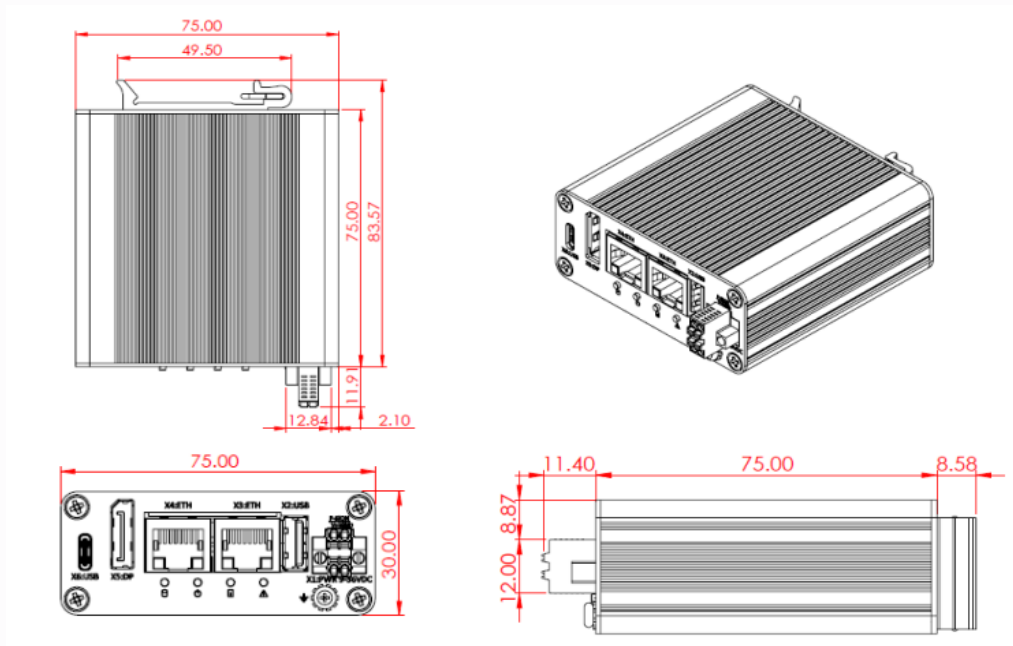
Specifications

General	
CPU	Support Intel® Atom® Alder Lake-N processors (System design optimized for 6W CPU power consumption.)
Memory	LPDDR5 8GB/16GB (option)
Storage	eMMC 64G/128G(option)
Power Input	Standard: 9~36V
Operating System	Windows® 10 IoT Enterprise Linux Yocto
Basic I/O Interface	
Power Connector	4-pin screw-type terminal block
Giga LAN	2x 2.5 GbE LAN (Intel® i226-IT)
USB	1x USB3.0 type-C, 1x USB3.0 type A
Display	1 x DP
Expansion	1x M.2 M Key 2242 PCIe4
System	4 systems LED

Copyright © 2018 European Power Technology S.V. All rights reserved. All data is for information purposes only and not guaranteed for legal purposes. Information has been carefully checked and is believed to be accurate; however, no responsibility is assumed for inaccuracies. Powerwell and the Powerwell logo and all other trademarks or registered trademarks are the property of their respective owners and are recognized. Specifications are subject to change without notice.

Environmental	
Storage Temperature	-40°C ~ 85°C
Operating Temperature	-20°C ~ 50°C with airflow -20°C ~ 55°C with airflow, DIN Rail mount (by request)
Relative Humidity	5 %~ 95 % (non-condensing)
Vibration	DIN Rail - 2G rms
Shock	Din-Rail - 50G half sign
Mechanical	
Degree of Protection	IP 30
Dimension	75mm (L) x 75mm (W) x 30 mm (H)
Net Weight	0.205KG
Optional Accessories	
Power Adaptor	4-pin Connector, 60W/24V and 40W/12Vs
Mounting Kit	Din Rail mount, Wall/Desk/VESA mount by project
Video Adaptor	DP to VGA/ DP to DVI
Certification	
EMC Standard	CE/FCC Class A

Dimensions



Models

