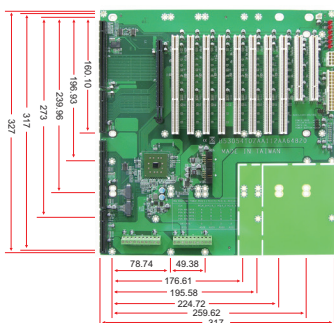


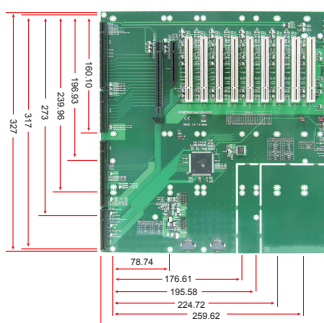


PICMG 1.3 Backplane



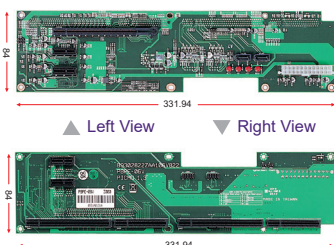
PBPE-12AA64
12-slot [PCI-X (8), PCIe x16 (1), PCI (2)]

- Fit for 4U chassis
- Four USB ports
- Dual SATA ports
- Two PCI-X buses support eight PCI-X expansion slot



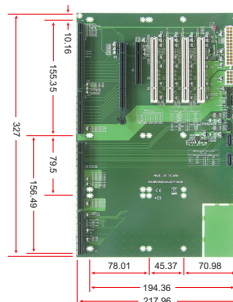
PBPE-12A9
12-slot [PCIe x16 (1), PCIe x8 (1, x4 signal), PCI (9)]

- Fit for 4U chassis
- Four USB ports
- Dual SATA ports



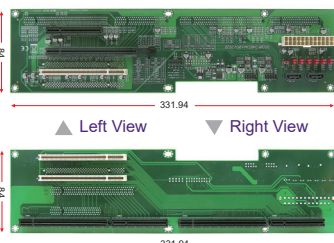
PBPE-06V
Vertical 6-slot [PCIe x1 (4), PCIe x16 (1)]

- Fit for 2U chassis
- Four USB ports
- Dual SATA ports
- 24-pin ESP 12V power connector



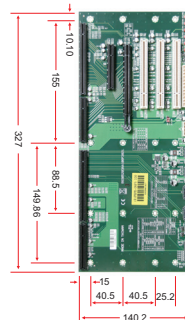
PBPE-07P4
7-slot [PCIe x8 (1, x4 signal), PCIe x16 (1), PCI (4)]

- Fit for Node chassis
- Four USB ports
- Dual SATA ports



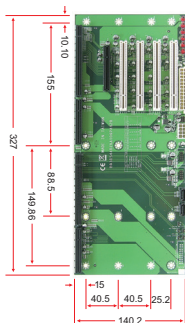
PBPE-06V3
Vertical 6-slot [PCIe x8 (1, x4 signal), PCIe x16 (1), PCI (3)]

- Fit for 2U chassis
- Four USB ports
- Dual SATA ports



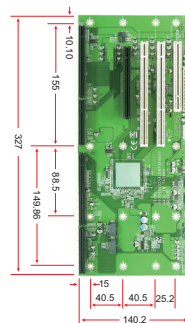
PBPE-06P3
6-slot [PCIe x16 (1), PCIe x4 (1), PCI (3)]

- Fit for Node chassis
- Four USB ports
- Dual SATA ports



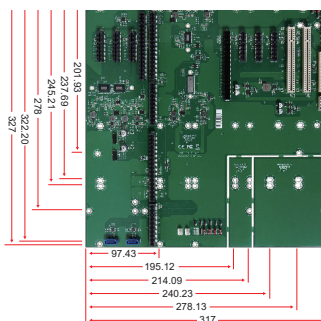
PBPE-06P4
6-slot [PCIe x8 (1, x4 signal), PCI (4)]

- Fit for Node chassis
- Four USB ports
- Dual SATA ports



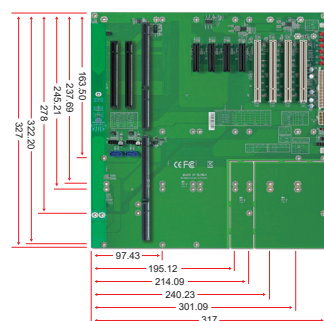
PBPE-05A364
5-slot [PCIe x16 (1), PCI-X (2), PCI (1)]

- Fit for Node chassis
- Four USB ports
- Dual SATA ports
- Two PCI-X buses support two PCI-X expansion slot



PBPE-10P2
10-slot [PCIe x16 (1), PCIe x4 (3, x4 signal), PCIe x4(3, x1 signal), PCI(2)]

- Fit for 4U Chassis
- Four USB ports
- Two SATA ports
- Support PCIe Gen5 with ROBO-8116 series



PBPE-11P4
11-slot [PCIe x16 (2, 1x16 or 2x8 signal), PCIe x4(4, x1 signal), PCI(4)]

- Fit for 4U Chassis
- Four USB ports
- Two SATA ports
- Support PCIe Gen5 with ROBO-8116 series